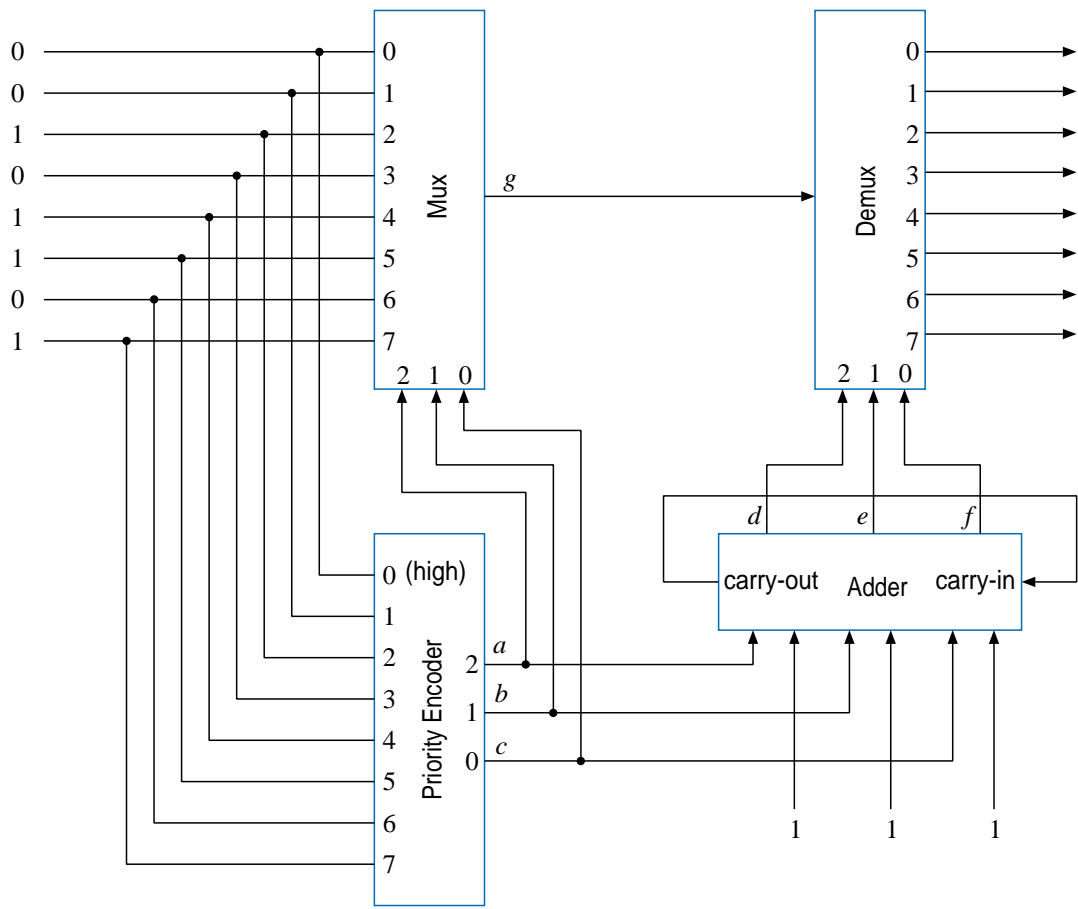


Exercise 10.6 (Figure 10.20)



Exercise 10.22 (Figure 10.22)