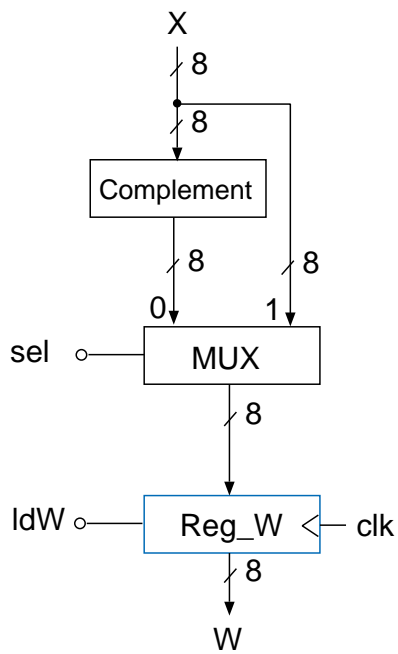
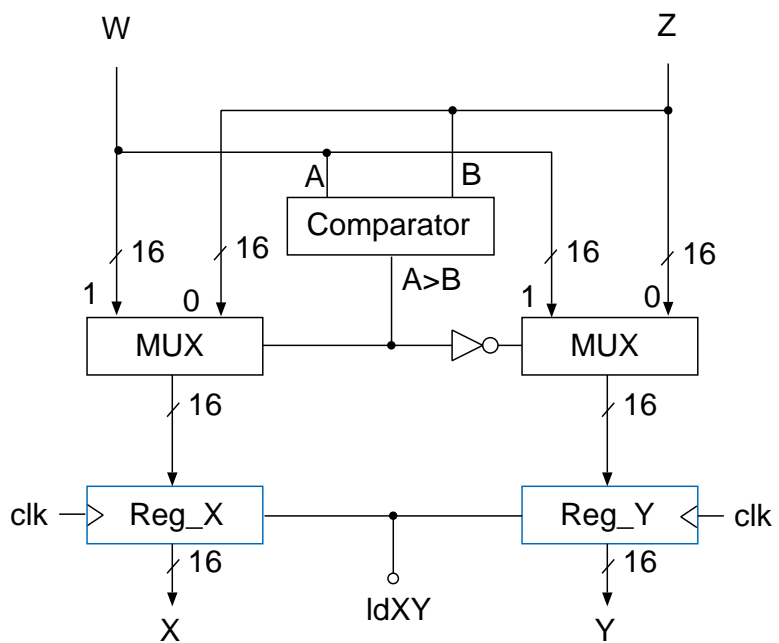


Exercise 13.1 (Figure 13.29)

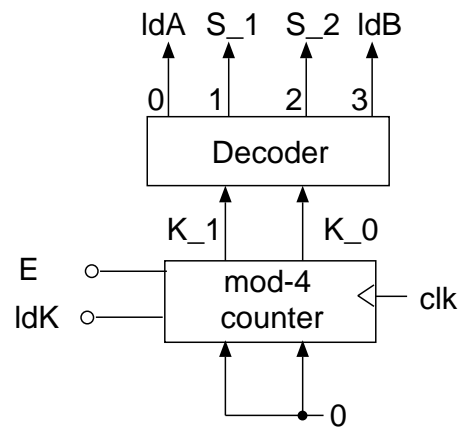
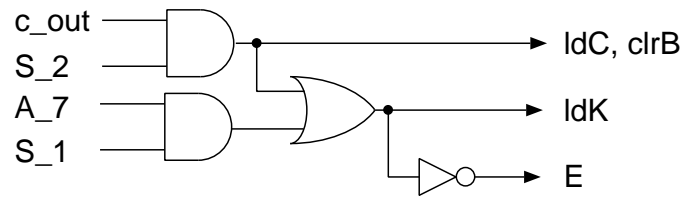
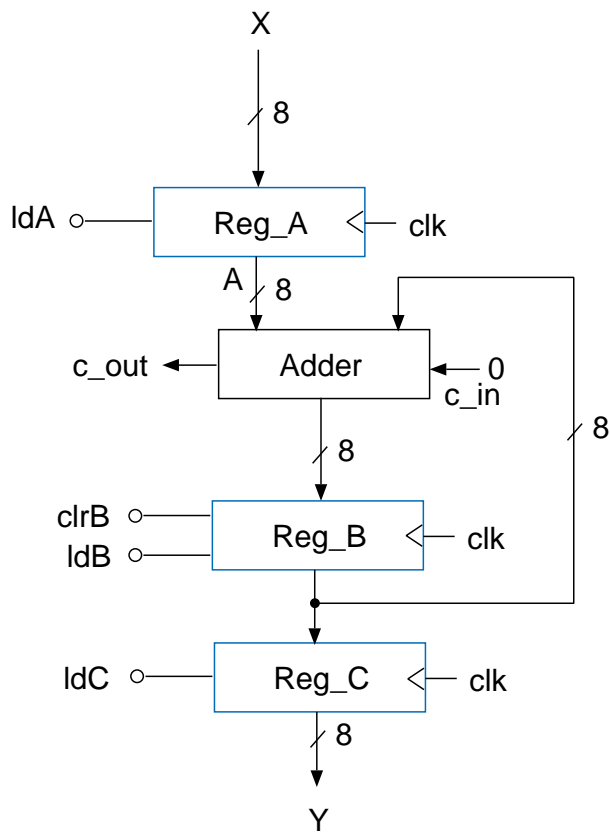


(a)



(b)

Exercise 13.12 (Figure 13.30)



Exercise 13.13 (Figure 13.31)